

# APOLLO ferrara vertical technical specification

FERRARA VERTICAL DIMENSIONS (mm)			
MODEL HEIGHTS 1000, 1200, 1400, 1800, 2000			
Width of radiator			(no sections x 60) - 10
Tube width			50
Tube depth			30
Section width (tube + space)			60
Wall to front of rad		(A)	70
Wall to pipe centres	Side entry	(Bs)	25
	Bottom entry	(Bb)	55
Tapping centres	Side entry	(C)	Width
	Bottom entry	(D)	Width less 50
Pipe centres	Side entry		Width plus valves
	Bottom entry	(D)	Width less 50
Bracket positions	Top	(Et)	110
	Bottom	(Eb)	110

FERRARA 1000 HIGH WEIGHTS AND VOLUMES (per radiator)			
Model width mm	300	400	500
Dry weight (A) Kg	9.90	13.90	17.90
Water content (B) Litres	7.80	11.10	14.50
Working weight (A+B) Kg	17.70	25.00	32.40
Outputs: Watts $\Delta T=50k$	659	923	1186

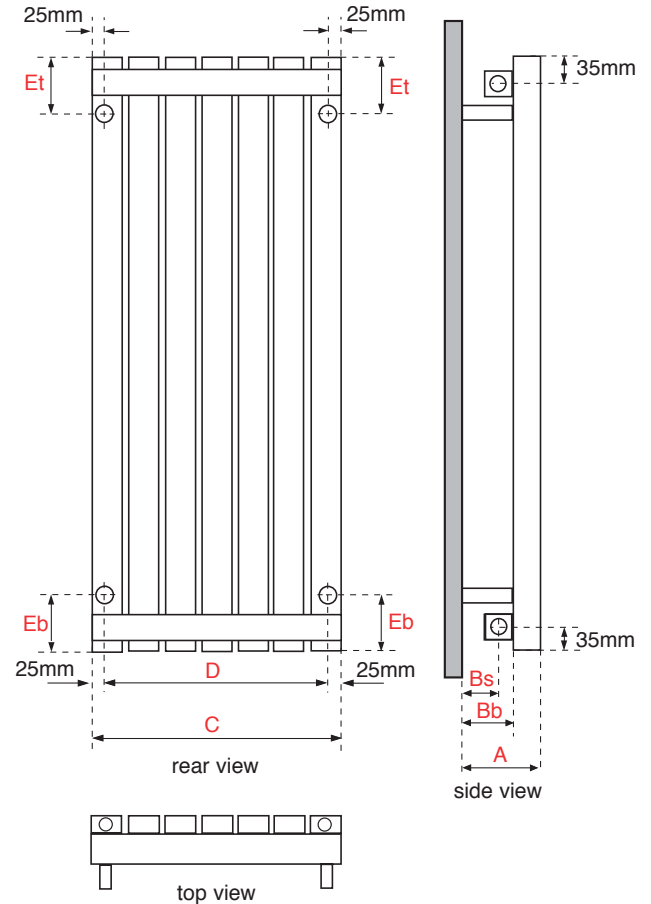
FERRARA 1200 HIGH WEIGHTS AND VOLUMES (per radiator)			
Model width mm	300	400	500
Dry weight (A) Kg	11.50	16.00	20.60
Water content (B) Litres	9.30	13.20	17.20
Working weight (A+B) Kg	20.80	29.20	37.80
Outputs: Watts $\Delta T=50k$	755	1058	1359

FERRARA 1400 HIGH WEIGHTS AND VOLUMES (per radiator)			
Model width mm	300	400	500
Dry weight (A) Kg	13.80	18.50	23.20
Water content (B) Litres	10.80	15.30	19.90
Working weight (A+B) Kg	24.60	33.80	43.10
Outputs: Watts $\Delta T=50k$	858	1201	1543

FERRARA 1800 HIGH WEIGHTS AND VOLUMES (per radiator)			
Model width mm	300	400	500
Dry weight (A) Kg	16.70	22.60	28.50
Water content (B) Litres	13.80	19.50	25.30
Working weight (A+B) Kg	30.50	42.10	53.80
Outputs: Watts $\Delta T=50k$	1090	1526	1961

FERRARA 2000 HIGH WEIGHTS AND VOLUMES (per radiator)			
Model width mm	300	400	500
Dry weight (A) Kg	18.20	24.70	32.00
Water content (B) Litres	15.30	21.60	28.00
Working weight (A+B) Kg	33.50	46.30	60.00
Outputs: Watts $\Delta T=50k$	1199	1679	2157

ADDITIONAL INFORMATION	
Material	304 grade stainless steel
Steel tube measurements	30mm x 50mm
Steel thickness	1.2mm
Maximum working pressure	4 bar/400 kPa
Testing pressure	6 bar/600 kPa
Maximum working temperature	90°C



TEMPERATURE			
FACTORS FOR DIFFERENCES BETWEEN MEAN WATER TEMPERATURE AND ROOM TEMPERATURE IN °C AND °F OTHER THAN 50 °C (90 °F)			
5 °C	0.050	10 °F	0.057
10 °C	0.123	20 °F	0.142
15 °C	0.209	30 °F	0.240
20 °C	0.304	40 °F	0.348
25 °C	0.406	50 °F	0.466
30 °C	0.515	60 °F	0.590
35 °C	0.629	70 °F	0.721
40 °C	0.748	80 °F	0.858
45 °C	0.872	90 °F	1.000
50 °C	1.000	100 °F	1.147
55 °C	1.132	110 °F	1.298
60 °C	1.267	120 °F	1.454
65 °C	1.406	130 °F	1.613
70 °C	1.549	140 °F	1.776
75 °C	1.694		

TO APPLY THE FACTORS SHOWN IN THE TABLE TO OUR QUOTED OUTPUTS. MULTIPLY THE QUOTED OUTPUT BY THE CHOSEN OPERATING FACTOR TO GIVE THE OUTPUT