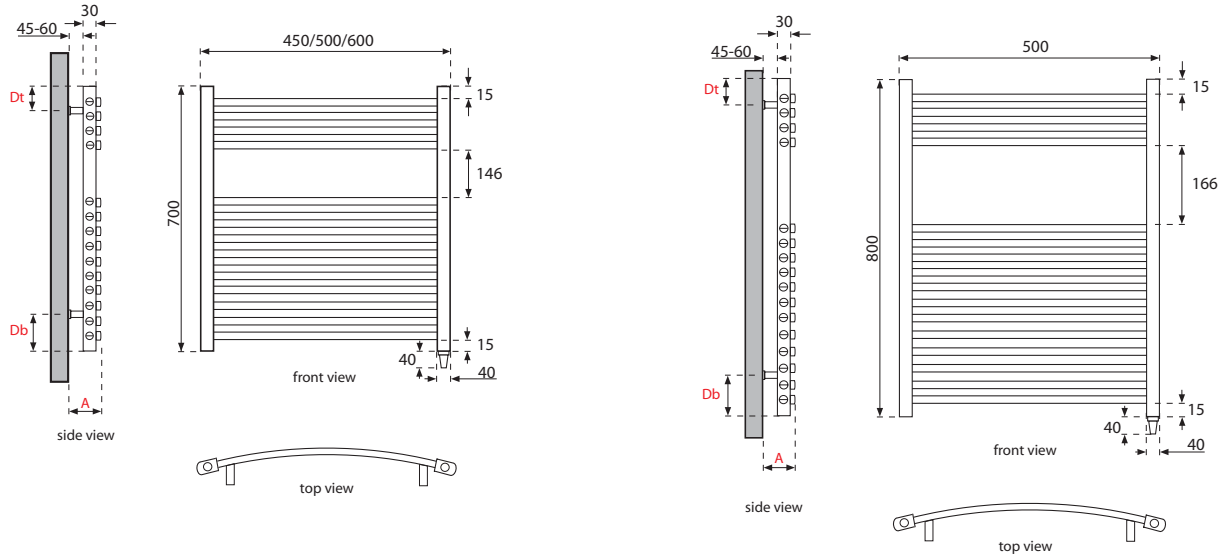


APOLLO torino sealed electric multirail curved technical specification



TORINO CURVED DIMENSIONS (mm)

TORINO CURVED DIMENSIONS (mm)			
Height of radiator 700, 800			
Width of radiator			450 500 600
Upright tube dimensions			30 x 40 30 x 40 30 x 40
Cross tube diameter			22 22 22
Wall to front of rad	(A)		95 100 110
Wall to pipe centres	Side entry		N/A N/A N/A
	Bottom entry	(B)	N/A N/A N/A
Distance between tappings	Side entry		N/A N/A N/A
	Bottom entry	(C)	N/A N/A N/A
Pipe centres	Side entry		N/A N/A N/A
	Bottom entry	(C)	N/A N/A N/A
Bracket position	Top	(Dt)	90 90 90
	Bottom	(Db)	90 90 90

TORINO CURVED 700 HIGH WEIGHTS AND VOLUMES

Model width mm	450	500	600
Dry weight (A) Kg	5.50	5.90	6.60
Water content (B) Litres	3.10	3.30	3.80
Working weight (A+B) Kg	8.60	9.20	10.40
White outputs: Watts $\Delta T=50k$	200	200	200
Chrome outputs: Watts $\Delta T=50k$	200	200	200

TORINO CURVED 800 HIGH WEIGHTS AND VOLUMES

Model height mm	500
Dry weight (A) Kg	6.60
Water content (B) Litres	3.80
Working weight (A+B) Kg	10.40
White outputs: Watts $\Delta T=50k$	N/A
Chrome outputs: Watts $\Delta T=50k$	200

ADDITIONAL INFORMATION

Material		Mild steel
Steel tube measurements		See dimensions table
Steel thickness	Upright	1.5mm
	Cross tubes	1.2mm
Maximum working pressure		2 bar/200 kPa
Testing pressure		12 bar/1200 kPa
Maximum working temperature		70°C
Configuration	700 high	2 banks/14 tubes (4 + 10)
	800 high	2 banks/16 tubes (4 + 12)

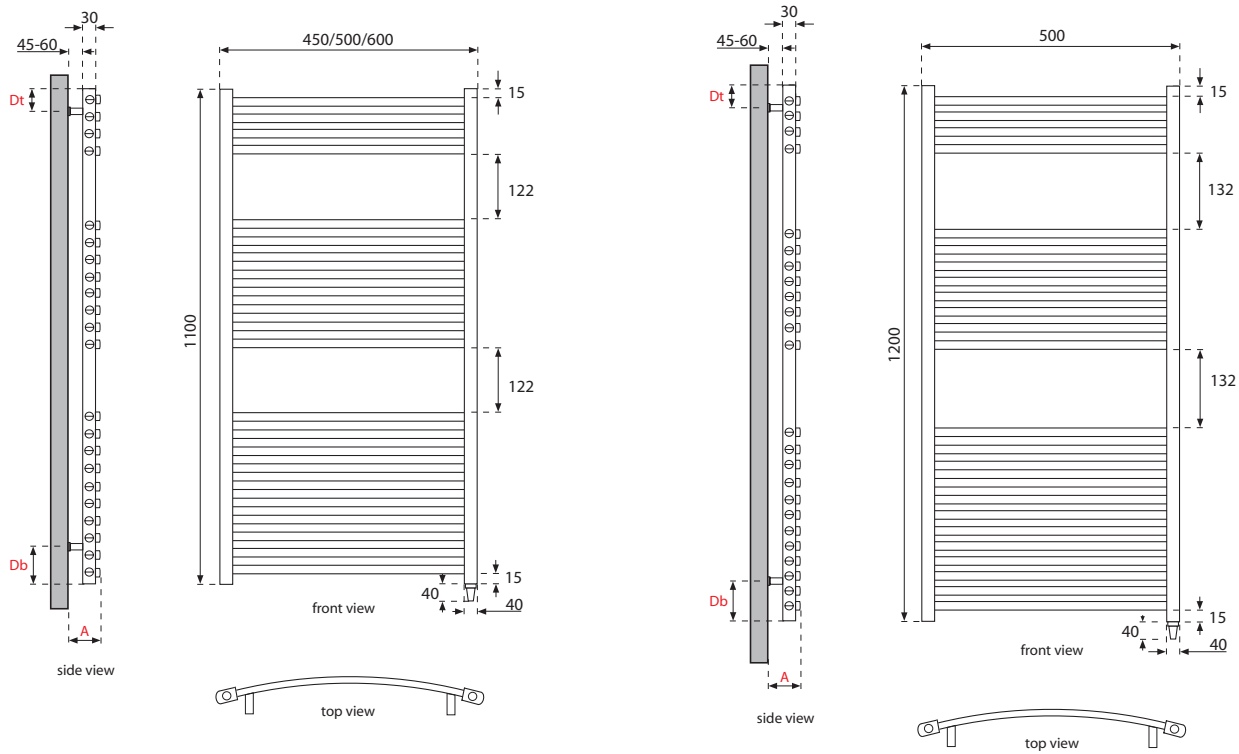
TEMPERATURE

FACTORS FOR DIFFERENCES BETWEEN MEAN WATER TEMPERATURE AND ROOM TEMPERATURE IN °C AND °F OTHER THAN 50 °C (90 °F)

5 °C	0.050	10 °F	0.057
10 °C	0.123	20 °F	0.142
15 °C	0.209	30 °F	0.240
20 °C	0.304	40 °F	0.348
25 °C	0.406	50 °F	0.466
30 °C	0.515	60 °F	0.590
35 °C	0.629	70 °F	0.721
40 °C	0.748	80 °F	0.858
45 °C	0.872	90 °F	1.000
50 °C	1.000	100 °F	1.147
55 °C	1.132	110 °F	1.298
60 °C	1.267	120 °F	1.454
65 °C	1.406	130 °F	1.613
70 °C	1.549	140 °F	1.776
75 °C	1.694		

TO APPLY THE FACTORS SHOWN IN THE TABLE TO OUR QUOTED OUTPUTS. MULTIPLY THE QUOTED OUTPUT BY THE CHOSEN OPERATING FACTOR TO GIVE THE OUTPUT

APOLLO torino sealed electric curved multirail technical specification



TORINO CURVED DIMENSIONS (mm)

TORINO CURVED DIMENSIONS (mm)					
Height of radiator 1100, 1200					
Width of radiator			450	500	600
Upright tube dimensions			30 x 40	30 x 40	30 x 40
Cross tube diameter			22	22	22
Wall to front of rad		(A)	95	100	110
Wall to pipe centres	Side entry		N/A	N/A	N/A
	Bottom entry	(B)	N/A	N/A	N/A
Distance between tappings	Side entry		N/A	N/A	N/A
	Bottom entry	(C)	N/A	N/A	N/A
Pipe centres	Side entry		N/A	N/A	N/A
	Bottom entry	(C)	N/A	N/A	N/A
Bracket position	Top	(Dt)	90	90	90
	Bottom	(Db)	90	90	90

TORINO CURVED 1100 HIGH WEIGHTS AND VOLUMES

TORINO CURVED 1100 HIGH WEIGHTS AND VOLUMES			
Model width mm	450	500	600
Dry weight (A) Kg	8.30	8.90	10.10
Water content (B) Litres	4.90	5.20	5.90
Working weight (A+B) Kg	13.20	14.10	16.00
White outputs: Watts $\Delta T=50k$	300	300	300
Chrome outputs: Watts $\Delta T=50k$	200	300	300

TORINO CURVED 1200 HIGH WEIGHTS AND VOLUMES

TORINO CURVED 1200 HIGH WEIGHTS AND VOLUMES	
Model height mm	500
Dry weight (A) Kg	9.70
Water content (B) Litres	5.70
Working weight (A+B) Kg	15.40
White outputs: Watts $\Delta T=50k$	N/A
Chrome outputs: Watts $\Delta T=50k$	300

ADDITIONAL INFORMATION

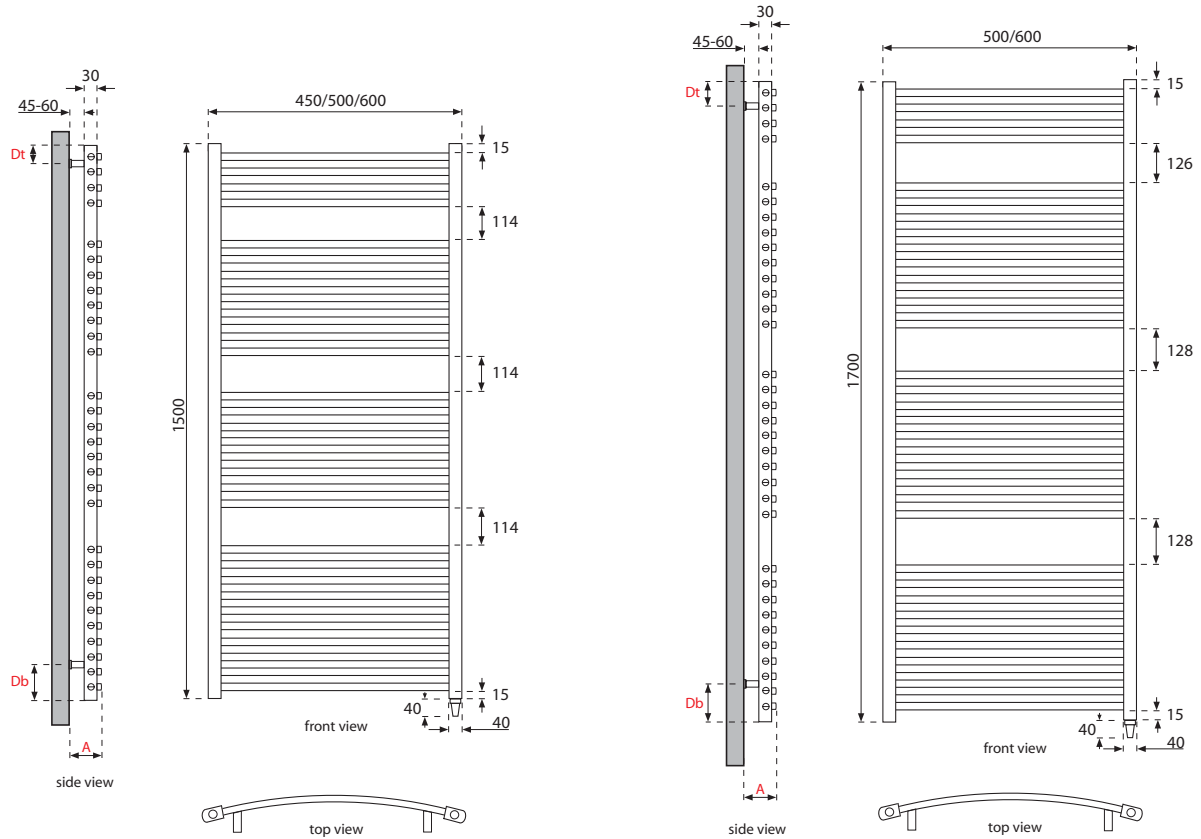
ADDITIONAL INFORMATION		
Material		Mild steel
Steel tube measurements		See dimensions table
Steel thickness	Upright	1.5mm
	Cross tubes	1.2mm
Maximum working pressure		2 bar/200 kPa
Testing pressure		12 bar/1200 kPa
Maximum working temperature		70°C
Configuration	1100 high	3 banks/22 tubes (4 + 8 + 10)
	1200 high	3 banks/24 tubes (4 + 8 + 12)

TEMPERATURE

FACTORS FOR DIFFERENCES BETWEEN MEAN WATER TEMPERATURE AND ROOM TEMPERATURE IN °C AND °F OTHER THAN 50 °C (90 °F)			
5 °C	0.050	10 °F	0.057
10 °C	0.123	20 °F	0.142
15 °C	0.209	30 °F	0.240
20 °C	0.304	40 °F	0.348
25 °C	0.406	50 °F	0.466
30 °C	0.515	60 °F	0.590
35 °C	0.629	70 °F	0.721
40 °C	0.748	80 °F	0.858
45 °C	0.872	90 °F	1.000
50 °C	1.000	100 °F	1.147
55 °C	1.132	110 °F	1.298
60 °C	1.267	120 °F	1.454
65 °C	1.406	130 °F	1.613
70 °C	1.549	140 °F	1.776
75 °C	1.694		

TO APPLY THE FACTORS SHOWN IN THE TABLE TO OUR QUOTED OUTPUTS. MULTIPLY THE QUOTED OUTPUT BY THE CHOSEN OPERATING FACTOR TO GIVE THE OUTPUT

APOLLO torino sealed electric curved multirail technical specification



TORINO CURVED DIMENSIONS (mm)

			450	500	600
Height of radiator 1500, 1700					
Width of radiator			450	500	600
Upright tube dimensions			30 x 40	30 x 40	30 x 40
Cross tube diameter			22	22	22
Wall to front of rad		(A)	95	100	110
Wall to pipe centres		Side entry	N/A	N/A	N/A
		Bottom entry	(B)	N/A	N/A
Distance between tappings		Side entry	N/A	N/A	N/A
		Bottom entry	(C)	N/A	N/A
Pipe centres		Side entry	N/A	N/A	N/A
		Bottom entry	(C)	N/A	N/A
Bracket position		Top	(Dt)	90	90
		Bottom	(Db)	90	90

TORINO CURVED 1500 HIGH WEIGHTS AND VOLUMES

	450	500	600
Model width mm	450	500	600
Dry weight (A) Kg	11.20	12.00	13.50
Water content (B) Litres	6.60	7.10	8.00
Working weight (A+B) Kg	17.80	19.10	21.50
White outputs: Watts $\Delta T=50k$	450	450	450
Chrome outputs: Watts $\Delta T=50k$	300	450	450

TORINO CURVED 1700 HIGH WEIGHTS AND VOLUMES

	500	600
Model height mm	500	600
Dry weight (A) Kg	13.50	15.30
Water content (B) Litres	8.00	9.10
Working weight (A+B) Kg	21.50	24.40
White outputs: Watts $\Delta T=50k$	450	600
Chrome outputs: Watts $\Delta T=50k$	450	600

ADDITIONAL INFORMATION

Material		Mild steel
Steel tube measurements		See dimensions table
Steel thickness	Upright	1.5mm
	Cross tubes	1.2mm
Maximum working pressure		2 bar/200 kPa
Testing pressure		12 bar/1200 kPa
Maximum working temperature		70°C
Configuration	1500 high	4 banks/30 tubes (4 + 8 + 8 + 10)
	1700 high	4 banks/34 tubes (4 + 10 + 10 + 10)

TEMPERATURE

FACTORS FOR DIFFERENCES BETWEEN MEAN WATER TEMPERATURE AND ROOM TEMPERATURE IN °C AND °F OTHER THAN 50 °C (90 °F)

5 °C	0.050	10 °F	0.057
10 °C	0.123	20 °F	0.142
15 °C	0.209	30 °F	0.240
20 °C	0.304	40 °F	0.348
25 °C	0.406	50 °F	0.466
30 °C	0.515	60 °F	0.590
35 °C	0.629	70 °F	0.721
40 °C	0.748	80 °F	0.858
45 °C	0.872	90 °F	1.000
50 °C	1.000	100 °F	1.147
55 °C	1.132	110 °F	1.298
60 °C	1.267	120 °F	1.454
65 °C	1.406	130 °F	1.613
70 °C	1.549	140 °F	1.776
75 °C	1.694		

TO APPLY THE FACTORS SHOWN IN THE TABLE TO OUR QUOTED OUTPUTS. MULTIPLY THE QUOTED OUTPUT BY THE CHOSEN OPERATING FACTOR TO GIVE THE OUTPUT